

## HYDRAULIC COMPRESSION GARBAGE EQUIPMENT TECHNICAL SPECIFICATION



/ Güvenç Machinery



+90 282 758 18 18



www.guvencmakina.com.tr



+90 541 148 83 62

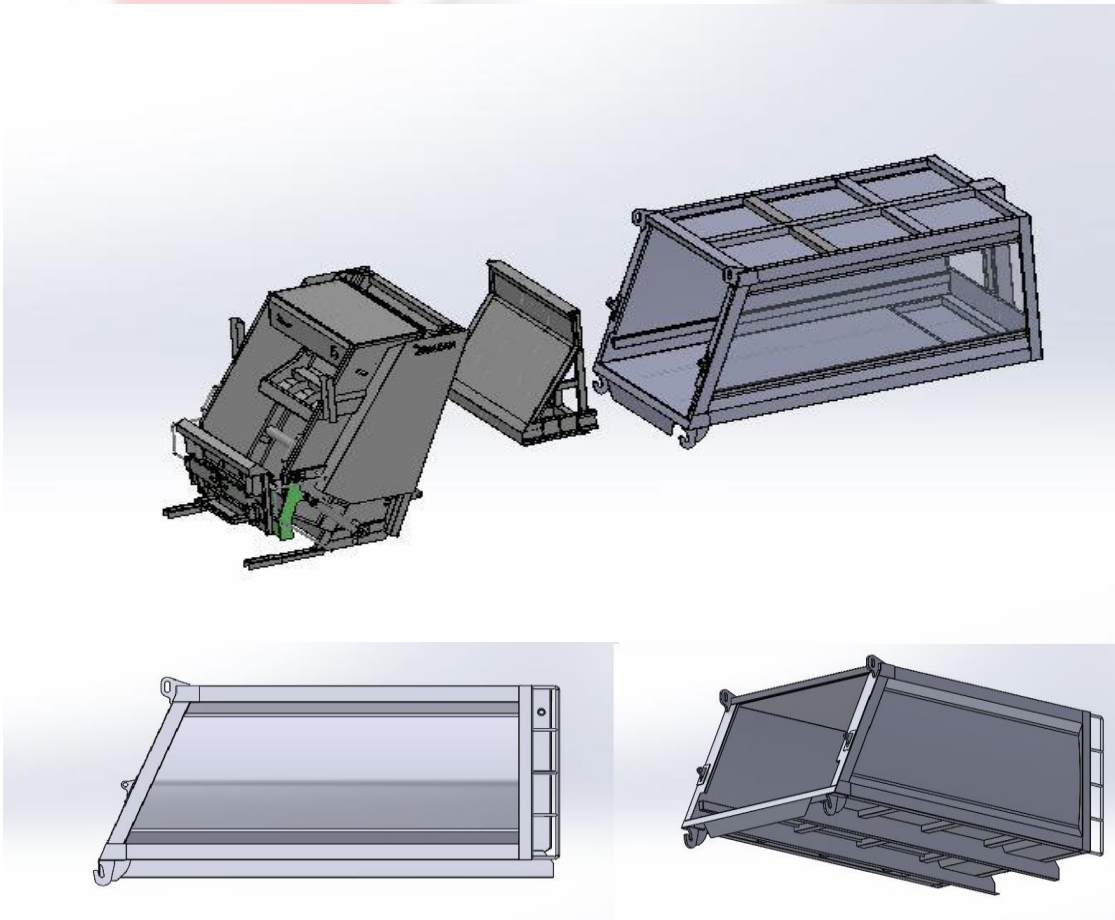


info@guvencmakina.com.tr

## TECHNICAL SPECIFICATION

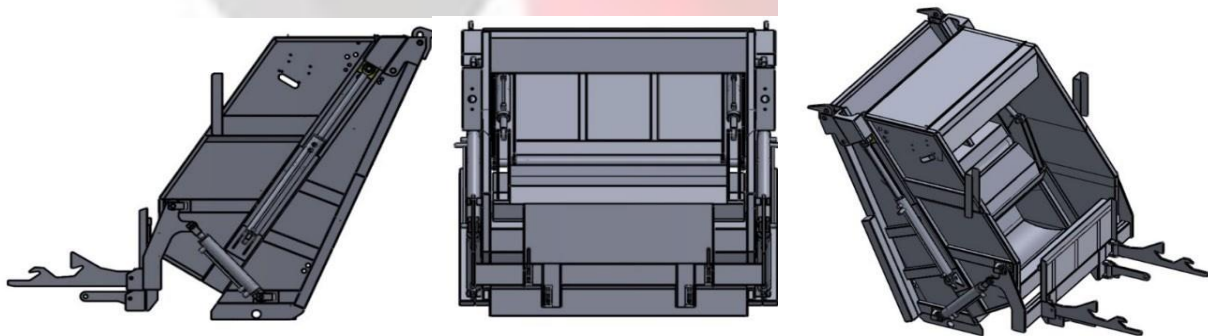
### Body Specifications

<b>Product Code</b>	GVC-GC 8 m3
<b>General Information</b>	Different capacities can be manufactured. Production can be done according to Technical Specifications as customer requests.
<b>Capacity (m3)</b>	8+1 m <sup>3</sup>
<b>Body Floor</b>	St-52 / 3mm.
<b>Body Side Walls</b>	St-52 / 3mm.
<b>Body Roof</b>	St-52 / 3mm.
<b>Auxiliary Chassis</b>	St-52 / 5mm.
<b>Ejector Plate</b>	Ejector plate moves with welded rails with double effect Telescopic Cylinder. When Garbage Compactor empty , its position in the rear of body and it moves to the front automatically while garbage fills in the body.
<b>Dirty Water Tank</b>	St-52 70 lt Capacity



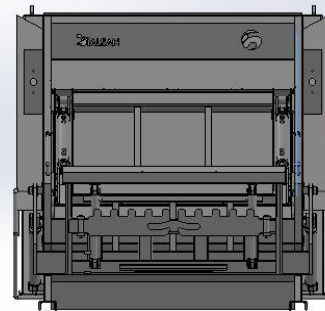
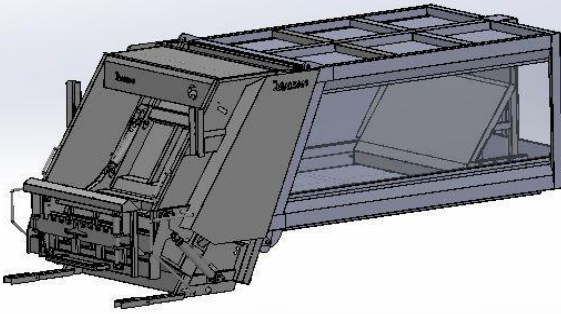
## Tailgate Specifications

<b>System work</b>	According to request ; Manual , Automatic , Manual & Automatic
<b>General Information</b>	With Top Hinges it is connected to Body. It is opened and closed with 2 units double effect hydraulic cylinder
<b>Compression Ratio</b>	Compression Ratio : 5:1 / 1:6
<b>Tailgate Capacity (m3)</b>	1m3
<b>Compression Shovel</b>	ST-52 / 5mm
<b>Tailgate Locks</b>	It is closed with hydraulic cylinders opposite movement
<b>Sealing</b>	There is special Rubber Seal between Tailgate and Body
<b>Security Bar</b>	There is Security Bar between Tailgate and Body when Tailgate is opened
<b>Security Valve</b>	There is security valve for loss of hydraulic of Tailgate
<b>Lifting Arms</b>	In Standard production we have 400-800 Lt Lifting arms. Also Different type of lifters as European Type : from 120 up to 1100 Lt, Optional Lifting systems can be produced according to customer requests.
<b>Operation Time</b>	20 – 35 second
<b>Metal Sheet Thickness</b>	Tailgate Floor (bunker) 6mm Tailgate side walls 3 mm St 52 Shovel 5 mm



## Hydraulic Specifications

<b>Hydraulic Oil Tank</b>	Minimum 100 liter capacity; Return filter, oil gauge and oil cover
<b>P.T.O</b>	Can be operated from Driver Cabin . PTO is original in Truck Chassis
<b>Working Pressure</b>	180 ± 10 bar
<b>Hydraulic Cylinders</b>	There are 9 units double effect hydraulic cylinders in the system. Rod Pipes are CK45 Quality Body Pipes are H8 .
<b>Distributor Valve</b>	Akon brand electro pneumatic or electro hydraulic or mechanic valve is used.
<b>Hydraulic Hose</b>	Made in Turkey
<b>Hydraulic Pump</b>	Made in Turkey hydraulic gear pump or optional



### Standart Accessories

- Rotating Beacon
- Projector
- Plate Lights
- Hand Rails
- Aluminium Side Barriers
- Plastic Mudguard
- Non-Sliding Foldable Operator Steps

### Optional Accessories

- Camera System
- Different Type Lifting Systems
- Hardox Body

### Painting

All Cleaning from dust and oil , 2 Layers Epoxy Prime-Painting and Last Painting will be done according to Ral Code.



Keep it up for success

## About Us

The service that Guvenc Makine Ltd has provided to its customers since its establishment; is quality oriented and reliable cooperation.

Our company is proud to present its reasonable price policy with the best quality even in the developing technology and competitive environment.

Our company makes the right work at the right time and presents the demands of our valued customers rapidly and reliably.

Our mission is correct teamwork.

With our professional and reliable staff, we understand the demands of our customers correctly and bring their requests from the production stage to the shipping stage in a short time.

We will always be proud to cooperate with you as our valued customers.

